

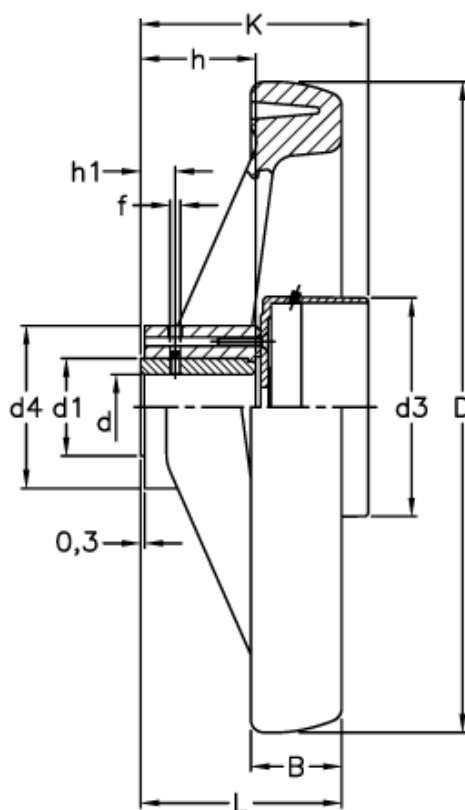
Data Sheet



Article number: 2307033111

Description: E+G Two-spoke handwheel
VRTP.160-GXX2-A14

Measures



B	= 25	h1	= 12
D	= 160	K	= 63
d1	= 26	L	= 51
d3	= 76		
d4	= 40		
d H7	= 14		
f	= M8		
h	= 27		